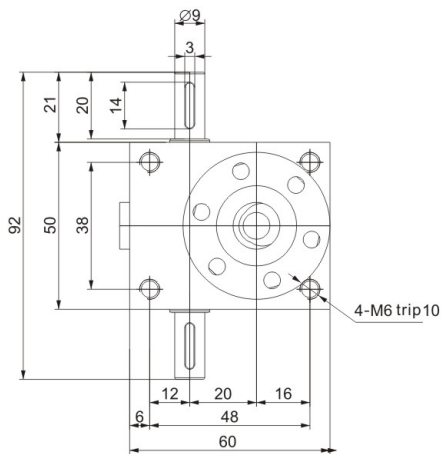
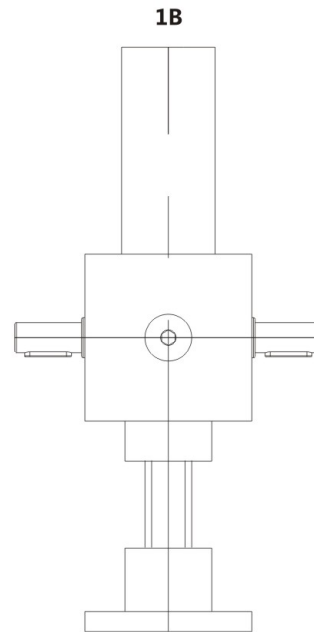
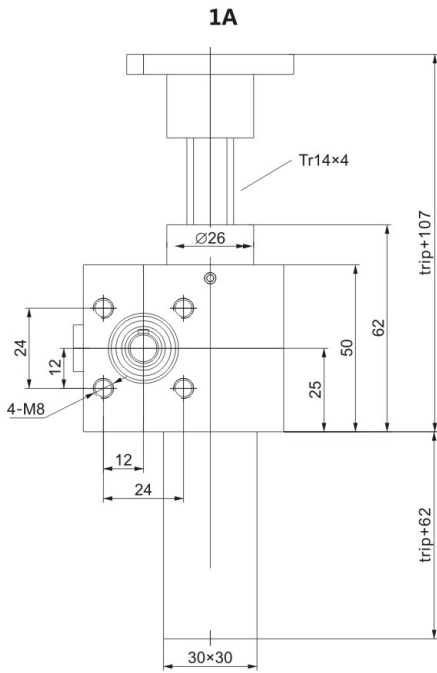




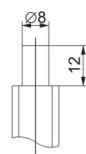
LINEAR MOTION

SJA 0.25T Type 1 structure

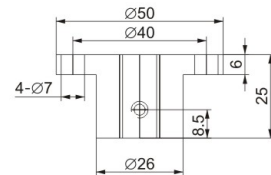


Lead screw head optional

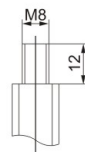
I type



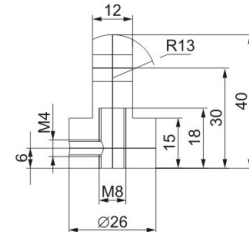
II type



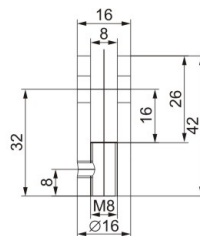
III type



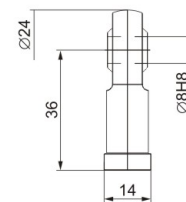
IV type



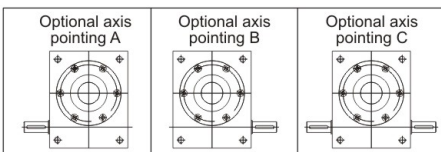
V type



VI type



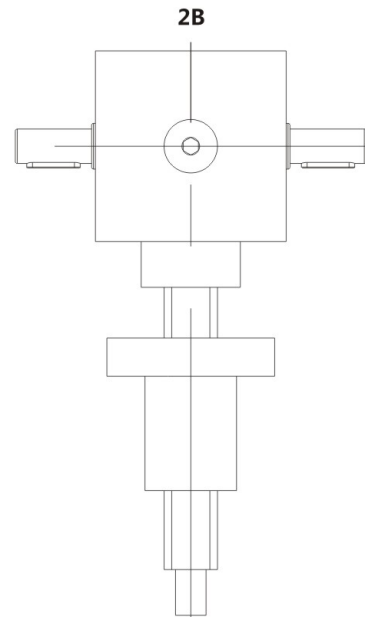
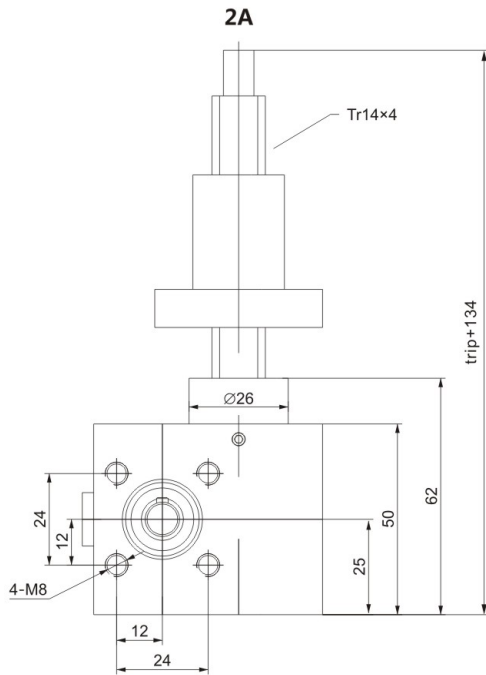
Shaft Direction





LINEAR MOTION

SJA 0.25T Type 2 structure

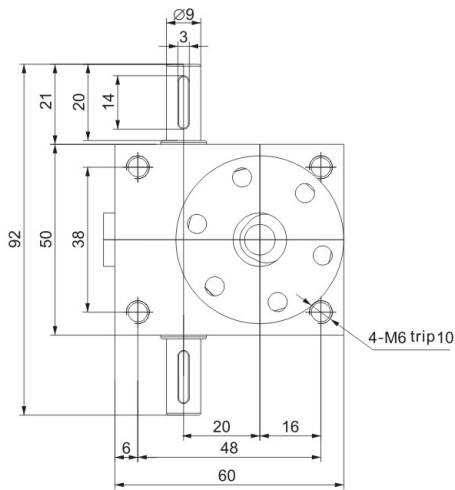
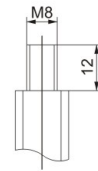


Lead screw head optional

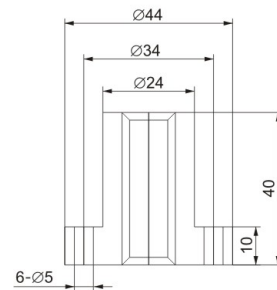
I type



III type



Screw nut type 2



Shaft Direction

